

# HYDRAULIC STEERING SPARE PARTS KIT

## NOTICE

Manuals can be downloaded from:  
[ww2.seastarsteering.com](http://ww2.seastarsteering.com)

This kit is designed for use in a SeaStar, BayStar, Capilano or Hynautic Hydraulic Steering System. Teleflex Marine recommends that ALL work is completed by a Qualified Marine Technician to ensure safe operation of the vessel. Please read and adhere to ALL warnings, cautions and notices that are outlined on this page as well as in your Owner's Manual.

## ⚠ WARNING

**Failure to adhere to the torque specifications outlined below may lead to separation of components resulting in loss of steering control causing ejection from vessel, or collision with objects leading to property damage, personal injury and/or death.**

## NOTICE

Refer to your Owner's Manual for any related notices, warnings and/or cautions.

## ⚠ WARNING

**It is good practice to check ALL fasteners after initial use and regularly thereafter to ensure proper torque setting is maintained.**

## Bolt Torque Specifications

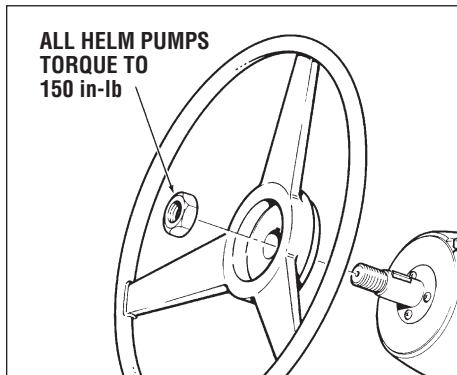


Figure A.

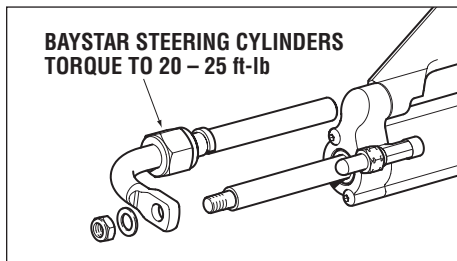


Figure B.

These are the recommended maximum torque values for reusable dry bolts. Bolts should be torqued to this value +0% -20%. For lubricated bolts, multiply the dry bolt torque values by .75.

### Values are stated in: in/lbs (N.m)

Bolt Size	18-8SS	Brass	Bolt Size	18-8SS	Brass
8-32	20.0 (2.25)	16.0 (1.81)	5/16"-18	132.0 (14.91)	107.0 (12.10)
8-36	22.0 (2.48)	18.0 (2.03)	5/16"-24	142.0 (16.04)	116.0 (13.11)
10-24	23.0 (2.59)	19.0 (2.14)	3/8"-16	236.0 (26.66)	192.0 (21.71)
10-32	32.0 (3.61)	26.0 (2.94)	3/8"-24	259.0 (29.20)	212.0 (23.97)
1/4"-20	75.0 (8.47)	62.0 (7.01)			
1/4"-28	94.0 (10.6)	77.0 (8.70)			

### Values are stated in: ft/lbs (N.m)

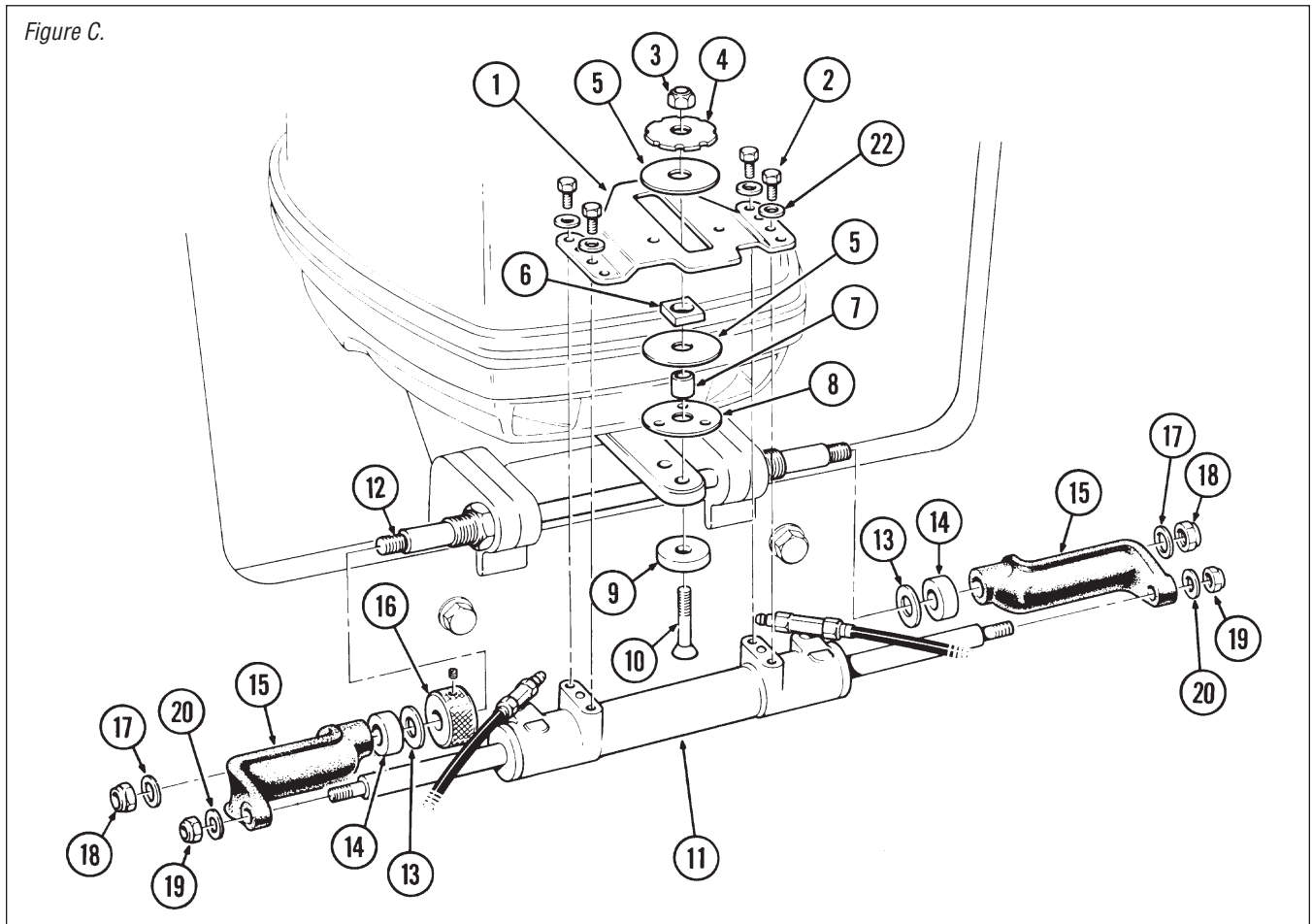
Bolt Size	18-8SS	Brass	Bolt Size	18-8SS	Brass
7/16"-14	31.0 (42.00)	26.0 (35.25)	3/4"-10	128.0 (173.55)	104.0 (141.00)
7/16"-20	33.0 (44.74)	27.0 (36.61)	3/4"-16	124.0 (168.12)	102.0 (138.29)
1/2"-13	43.0 (58.30)	35.0 (47.45)	7/8"-9	194.0 (236.03)	159.0 (215.58)
1/2"-20	45.0 (61.01)	37.0 (50.17)	7/8"-14	193.0 (261.67)	158.0 (214.22)
9/16"-12	57.0 (77.28)	47.0 (63.72)	1"-8	287.0 (389.12)	235.0 (318.62)
9/16"-18	63.0 (85.42)	51.0 (69.15)	1"-14	259.0 (351.16)	212.0 (287.43)
5/8"-11	93.0 (126.09)	76.0 (103.04)			
5/8"-18	104.0 (141.00)	85.0 (115.24)			

## NOTICE

Torque values for 18-8 stainless steel and brass bolts are taken from a torque guide by ITT Harper. All results correspond well with basic bolt equations, using a bolt factor of 0.2 and a factor of 3/4 for a reusable connection.

# HYDRAULIC STEERING SPARE PARTS KITS: HP6031 & HP6035

Figure C.



**NOTICE**

Teleflex Marine no longer sells individual PID's. Any part number shown below is ONLY available in kit form.

ITEM	PART #	QTY	DESCRIPTION
1	722222	1	Slide Plate
2	742724	4	Screw 5/16" x 3/4" Hex Head
3	113529	1	Nut 3/8" NF Nylok®
4	721220	1	Notched Washer
5	727724	2	Slide Washer
6	729221	1	Slide Follower
7	721126	1	Follower Bush
8	736028	1	Bottom Washer (3 Hole)
9	721427	1	Countersunk Washer
10	185921	1	Screw 3/8" x 1 5/8" Flat Head
11	HC5344	1	Cylinder c/w Bleed Tee's

ITEM	PART #	QTY	DESCRIPTION
12	730229	1	Support Rod
13	202121	2	Washer 5/8" dia.
14	985876	2	Spacer
15	809900	2	Support Brackets
16	436627	1	Adjusting Nut c/w Set Screw
17	202027	2	Washer 1/2" dia.
18	192126	2	Nut 1/2" NF Nylok®
19	731720	2	Nut 7/16" dia.
20	731625	2	Washer 7/16" dia.
22	010924	4	Washer 5/16" dia.