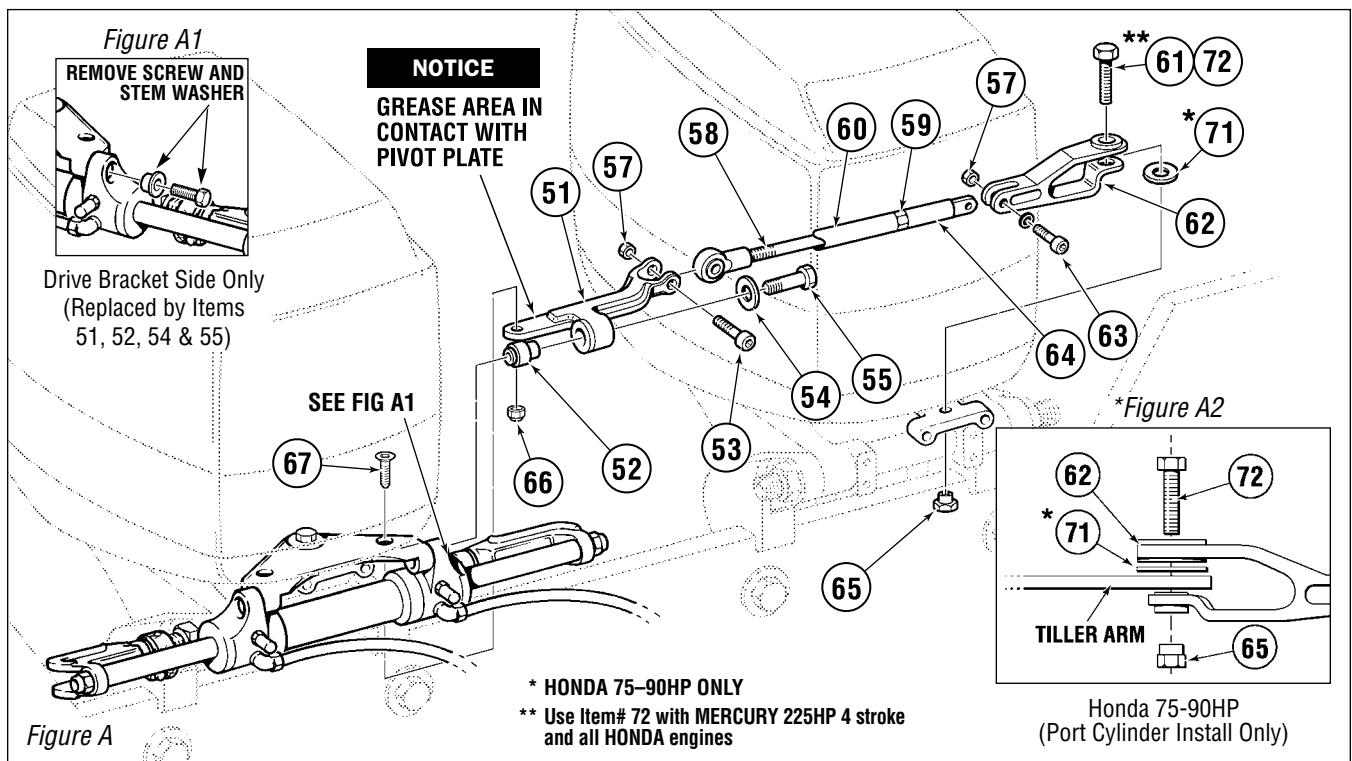


## HO6001-Single Cylinder Tiebar Kit

ENGINE MANUFACTURER	YEAR	MODEL	CYLINDER	ENGINE TIE BAR KITS		NOTE
				SINGLE CYL.	DUAL CYL.	
<b>FORCE</b>	1995-TO DATE	90-120 HP	HC5345	<b>HO6001</b>	HO6002	
<b>HONDA</b>	** 1996-TO DATE	75-90 HP	HC5345	<b>HO6001</b>	HO6002	Port Cylinder install ONLY. (see Figure A2) * Requires Spacer Kit HO5090. Trim Engine Hooks if Interference occurs
	** 1998-TO DATE	30-50 HP	HC5345	<b>HO6001</b>	HO6002	
	** 2002-TO DATE	200-225HP 4 Stroke	HC5345	<b>HO6001</b>	HO6002	
<b>MERCURY/MARINER</b>	1989-TO DATE	75-275 HP	HC5345	<b>HO6001</b>	HO6002	Cylinder req. on every engine
	** 2002-TO DATE	225HP 4 Stroke	HC5345	<b>HO6001</b>	HO6002	
	2002-TO DATE	250 XS HP	HC5345	N/A	HO6002	

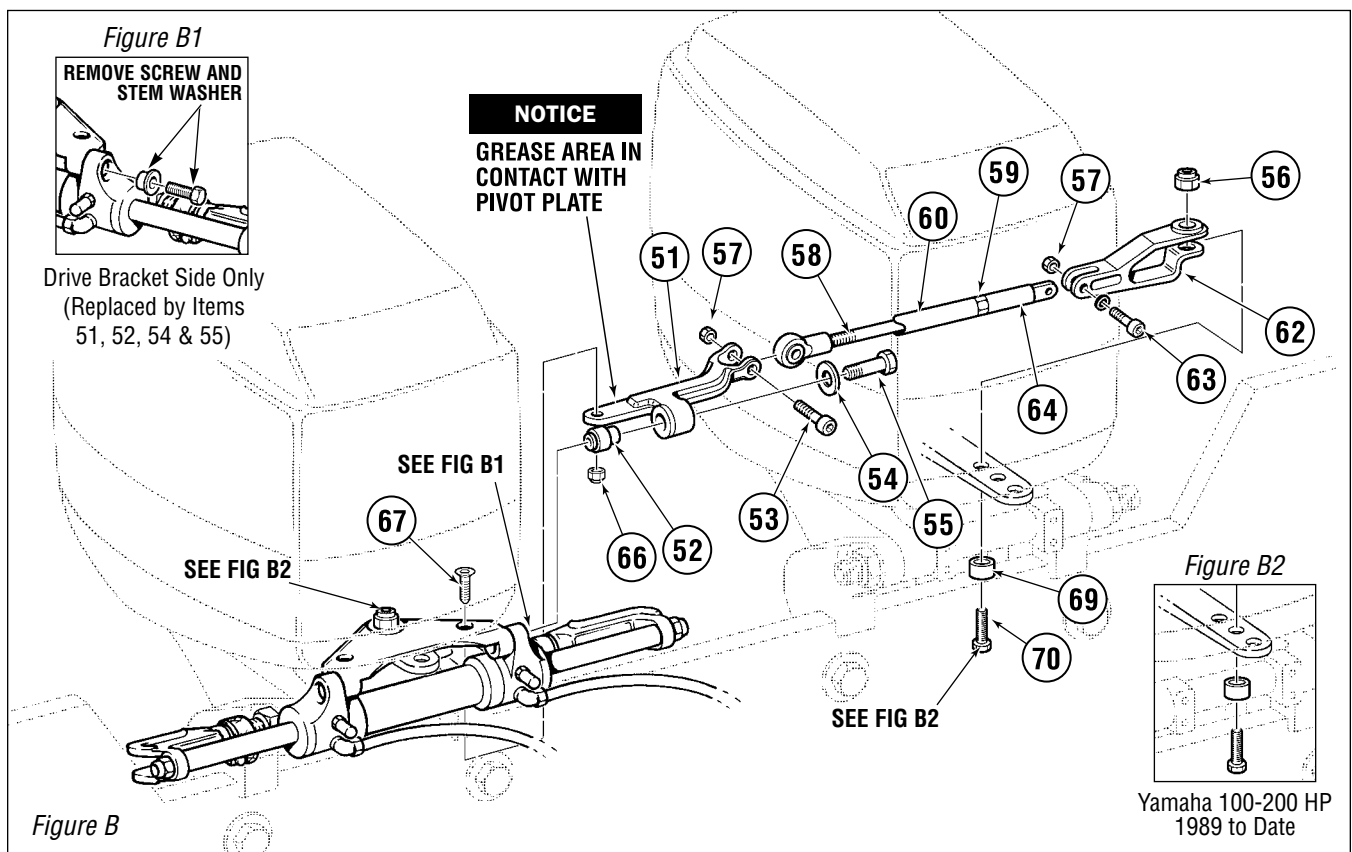


ITEM	PART #	QTY	DESCRIPTION
51	961665	1	Drive Bracket Assembly
52	961686	1	Spacer
53	186540	1	Shoulder Bolt, 3/8" x 1-1/4", SS
54	010924	1	Washer 5/16" x 3/4" OD SS
55	961704	1	HHCS 5/16" NC x 2" SS
56	113529	1	Nut, Nylok®, 3/8" NF, SS (Not used)
57	704525	2	Nut, Nylok®, 5/16" NC SS
58	722540	1	Tie Bar c/w Ball Joint
59	192126	1	Nut, Nylok® 1/2" NF, NI PL BR
60	722750	1	Stringer Tube, SS
**61	113222	1	HHCS, 3/8" NF 1-1/4", SS

ITEM	PART #	QTY	DESCRIPTION
62	961495	1	Slave Bracket Assembly
63	186530	1	Shoulder Bolt, 3/8" x 1" SS
64	961685	1	Rod End SS 1/2" NF
65	961193	1	Threaded Bushing
66	113021	1	Nut, Nylok®, 5/16" NC, SS, Thin
67	185901	1	FHSCS, 5/16" NC x 3/4", SS
69	961241	1	Bush, 1/2" OD x 3/8", SS (Not Used)
70	726826	1	HHCS 3/8" NF x 1-3/4", SS (Not Used)
*71	113600	1	Washer, 3/8" x 1-1/4" OD, SS
**72	116320	1	HHCS, 3/8" NF 1-1/2", SS

## H06001-Single Cylinder Tiebar Kit

ENGINE MANUFACTURER	YEAR	MODEL	CYLINDER	ENGINE TIE BAR KITS		NOTE
				SINGLE CYLINDER	DUAL CYLINDER	
<b>JOHNSON/EVINRUDE</b>	1991-TO DATE	90-175 HP	HC5345	<b>H06001</b>	H06002	
	1991-TO DATE	200-225 HP	HC5345	H06003	H06002	
	1996-TO DATE	90-225 HP FICHT	HC5345	H06003	H06002	
	1991-TO DATE	250-300 HP	HC5345	<b>H06001</b>	H06002	
<b>YAMAHA</b>	1989-TO DATE	100-200 HP	HC5358	<b>H06001</b>	H06002	See Fig B2
	1990-TO DATE	225-250 HP	HC5358	<b>H06001</b>	H06002	

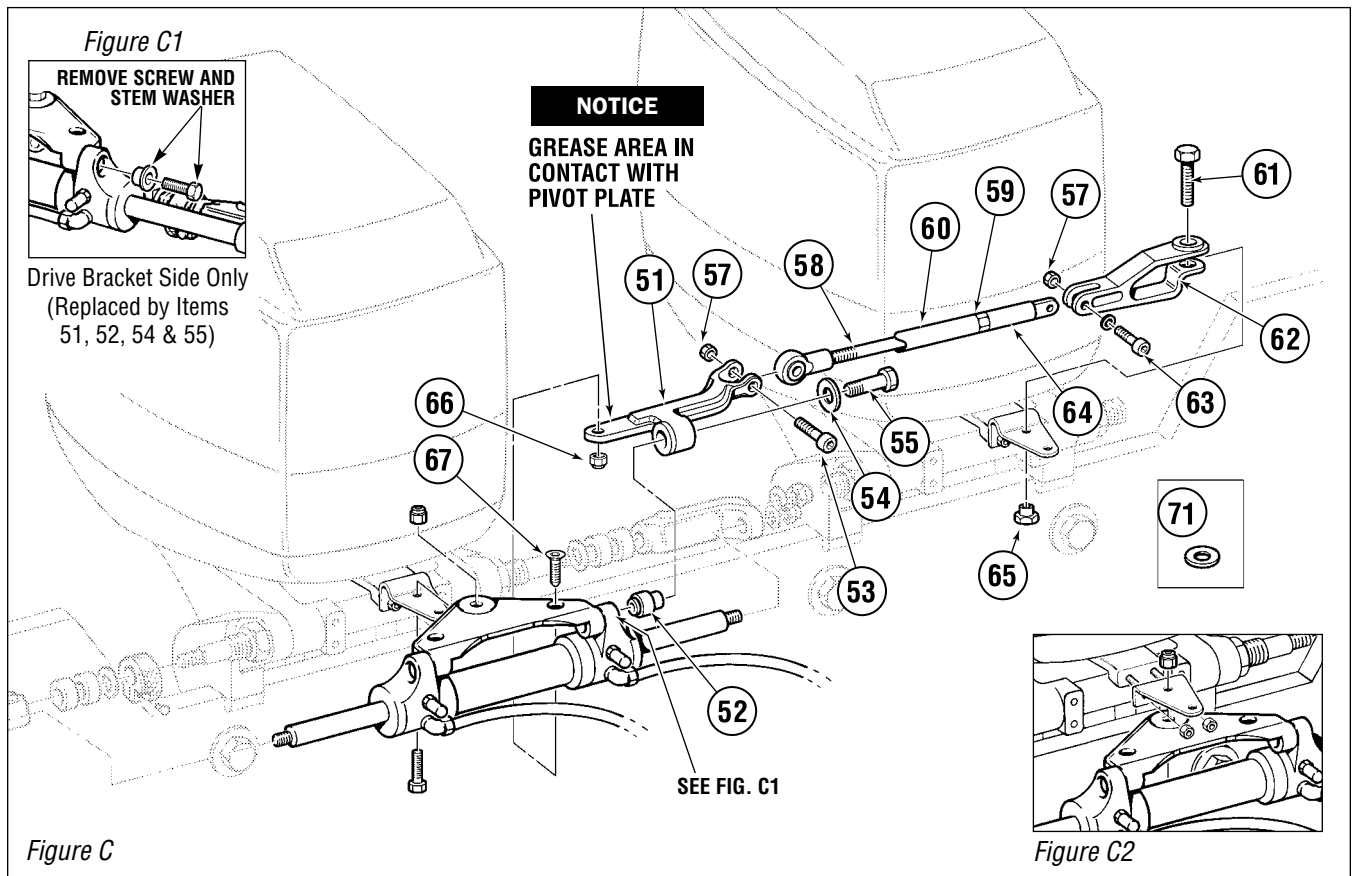


ITEM	PART #	QTY	DESCRIPTION
51	961665	1	Drive Bracket Assembly
52	961686	1	Spacer
53	186540	1	Shoulder Bolt, 3/8" x 1-1/4", SS
54	010924	1	Washer 5/16" x 3/4" OD, SS
55	961704	1	HHCS 5/16" NC x 2", SS
56	113529	1	Nut, Nylok®, 3/8" NF, SS
57	704525	2	Nut, Nylok®, 5/16" NC, SS
58	722540	1	Tie Bar c/w Ball Joint
59	192126	1	Nut, Nylok®, 1/2" NF, NI PL BR
60	722750	1	Stringer Tube, SS
61	113222	1	HHCS, 3/8" NF 1-1/4", SS (Not Used)

ITEM	PART #	QTY	DESCRIPTION
62	961495	1	Slave Bracket Assembly
63	186530	1	Shoulder Bolt, 3/8" x 1", SS
64	961685	1	Rod End SS 1/2" NF
65	961193	1	Threaded Bushing (Not Used)
66	113021	1	Nut, Nylok®, 5/16" NC, SS, Thin
67	185901	1	FHSCS, 5/16" NC x 3/4", SS
69	961241	1	Bush, 1/2" OD x 3/8", SS
70	726826	1	HHCS 3/8" NF x 1-3/4", SS
71	113600	1	Washer, 3/8" x 1-1/4" OD, SS (Not Used)
72	116320	1	HHCS, 3/8" NF 1-1/2", SS (Not Used)

## HO6001-Single Cylinder Tiebar Kit

ENGINE MANUFACTURER	YEAR	MODEL	CYLINDER	ENGINE TIE BAR KITS SINGLE CYL.	DUAL CYL.	NOTE
YAMAHA	1998-TO DATE	60 & 80HP	HC5345	HO6001	HO6002	Engine clamp brackets must be modified (cut or ground) and the engine through bolted onto transom or interference will occur restricting engine trim & tilt. Mount pivot plate on bottom of the tiller arm using the inner hole. (See Figure C.)
	1998-TO DATE	60-100HP 4-STROKE	HC5358	HO6001	HO6002	
	2000-TO DATE	115HP 4-STROKE	HC5358	HO6001	HO6002	



ITEM	PART #	QTY	DESCRIPTION
51	961665	1	Drive Bracket Assembly
52	961686	1	Spacer
53	186540	1	Shoulder Bolt, 3/8" x 1-1/4", SS
54	010924	1	Washer 5/16" x 3/4" OD SS
55	961704	1	HHCS 5/16" NC x 2-1/2" SS
56	113529	1	Nut, Nylok®, 3/8" NF, SS (Not Used)
57	704525	2	Nut, Nylok®, 5/16" NC SS
58	722540	1	Tie Bar c/w Ball Joint
59	192126	1	Nut, Nylok® 1/2" NF, NI PL BR
60	722750	1	Stringer Tube, SS
61	113222	1	HHCS, 3/8" NF 1-1/4", SS

ITEM	PART #	QTY	DESCRIPTION
62	961495	1	Slave Bracket Assembly
63	186530	1	Shoulder Bolt, 3/8" x 1" SS
64	961685	1	Rod End SS 1/2" NF
65	961193	1	Threaded Bushing
66	113021	1	Nut, Nylok®, 5/16" NC, SS, Thin
67	185901	1	FHSCS, 5/16" NC x 3/4", SS
69	961241	1	Bush, 1/2" OD x 3/8", SS (Not Used)
70	726826	1	HHCS 3/8" NF x 1-3/4", SS (Not Used)
71	113600	1	Washer, 3/8" x 1-1/4" OD, SS (Not Used)
72	116320	1	HHCS, 3/8" NF 1-1/2", SS (Not Used)