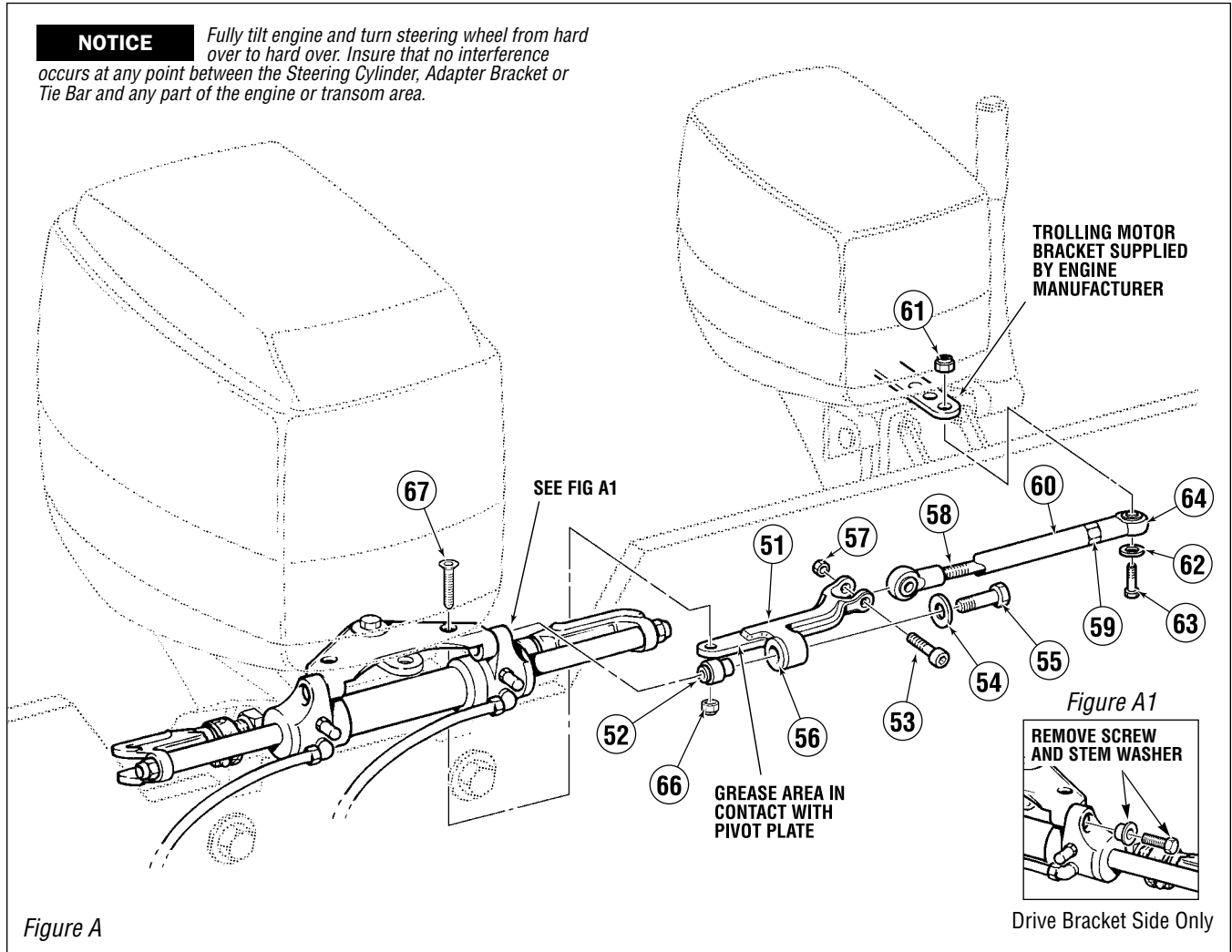


# TROLLING MOTOR TIE BAR KIT

ENGINE MANUFACTURER	YEAR	MODEL	CYLINDER	ENGINE ADAPTER KIT	NOTE
<b>ALL</b>	1991-TO DATE	Kicker or Trolling Motor	HC5345 HC5348 HC5358	<b>H06010</b> <b>H06010</b> <b>H06010</b>	See Fig A1 See Fig A1 See Fig A1

**NOTICE** Fully tilt engine and turn steering wheel from hard over to hard over. Insure that no interference occurs at any point between the Steering Cylinder, Adapter Bracket or Tie Bar and any part of the engine or transom area.



ITEM	PART #	QTY	DESCRIPTION
51	961650	1	Drive Bracket
52	961686	1	Spacer
53	186540	1	Shoulder Bolt, 1-1/4", SS
54	010924	1	Washer, 5/16" Flat 3/4" OD SS
55	961704	1	HHCS, 5/16" NC x 2", SS NLP
56	748668	1	Bush, Flange
57	704525	1	Nut, Nylok®, 5/16" NC, SS
58	722547	1	Tie Bar c/w Ball Joint

ITEM	PART #	QTY	DESCRIPTION
59	192126	1	Nut, Nylok®, 1/2" NF, Ni PI Br
60	620527	1	PVC Tubing
61	113529	1	Nut, Nylok®, 3/8" NF, Thin, SS
62	113622	1	Washer, 3/8" Flat 7/8" OD SS
63	726825	1	HHCS, 3/8" NF x 1-3/4" SS
64	116527	1	Rod End SS 1/2" NF
66	113021	1	Nut, Nylok®, 5/16" NC, Thin, SS
67	185901	1	FHSCS, 5/16" NC x 7/8", SS