

Triple Engine Applications

ENGINE MANUFACTURER	YEAR	MODEL	CYLINDER	ENGINE TIE BAR KITS		NOTE
				STARBOARD ENGINE TO DRIVE CYLINDER	PORT CYLINDER TO DRIVE CYLINDER	
FORCE	1995-TO DATE	90-120 HP	HC5345	H06001	H06002	
HONDA	1996-TO DATE	75-90 HP	HC5345	H06001	H06002	Min.Engine Centres = 29"
MERCURY/MARINER	1989-TO DATE	75-275 HP	HC5345	H06001	H06002	
YAMAHA	1990-TO DATE	100-200 HP	HC5345	H06001	H06002	
	1990-TO DATE	225-250 HP	HC5345	H06001	H06002	

NOTICE

Refer to your specific engine application in Book 1.1 for detailed installation instructions.

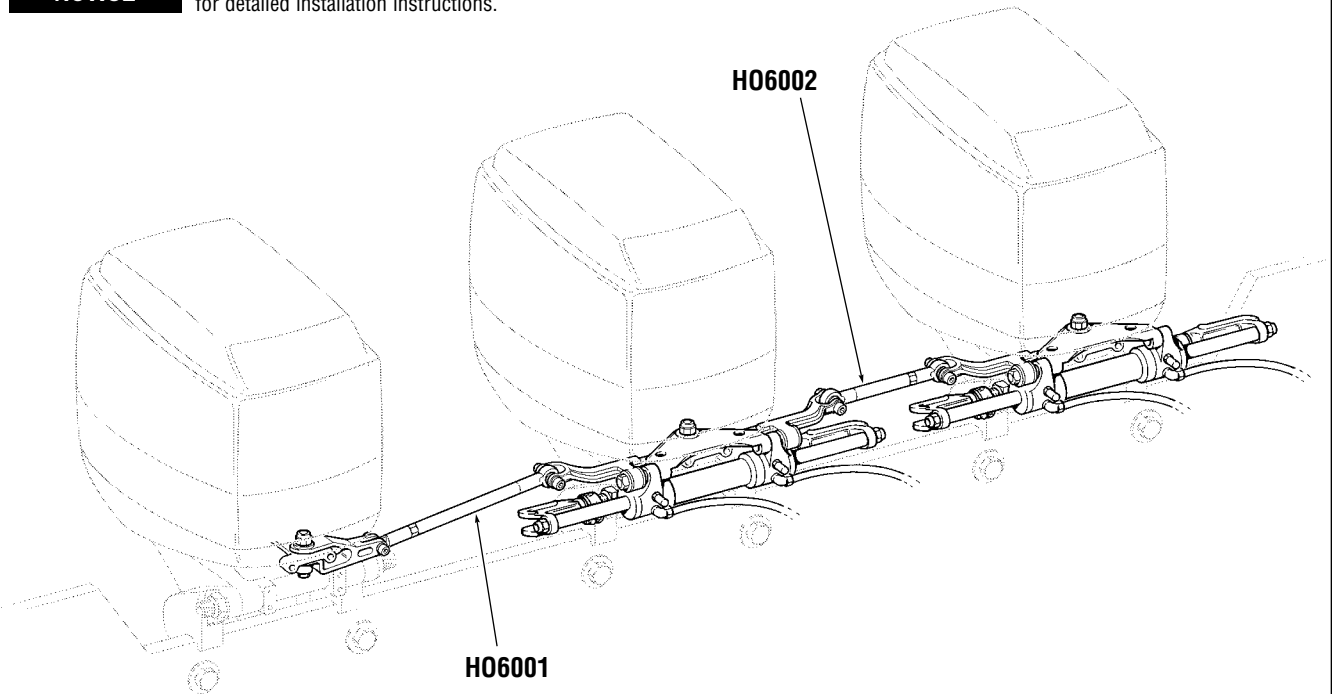


Figure A

Triple Engine Applications

ENGINE MANUFACTURER	YEAR	MODEL	CYLINDER	ENGINE TIE BAR KITS		NOTE
				STARBOARD ENGINE TO DRIVE CYLINDER	PORT CYLINDER TO DRIVE CYLINDER	
JOHNSON/EVINRUDE	1991-TO DATE	90-175 HP	HC5345	H06001	H06002	Min.Engine Centres = 29"
	1991-TO DATE	250-300 HP	HC5345	H06001	H06002	
	1991-TO DATE	200-225 HP	HC5345	H06003	H06002	
	1996-TO DATE	90-225 HP FIGHT	HC5345	H06003	H06002	
SUZUKI	1986-TO DATE	150-225 HP	HC5345	H06003	H06002	
	1986-TO DATE	115-140 HP	HC5345	H06003	H06002	

NOTICE

Refer to your specific engine application in Book 1.1 for detailed installation instructions.

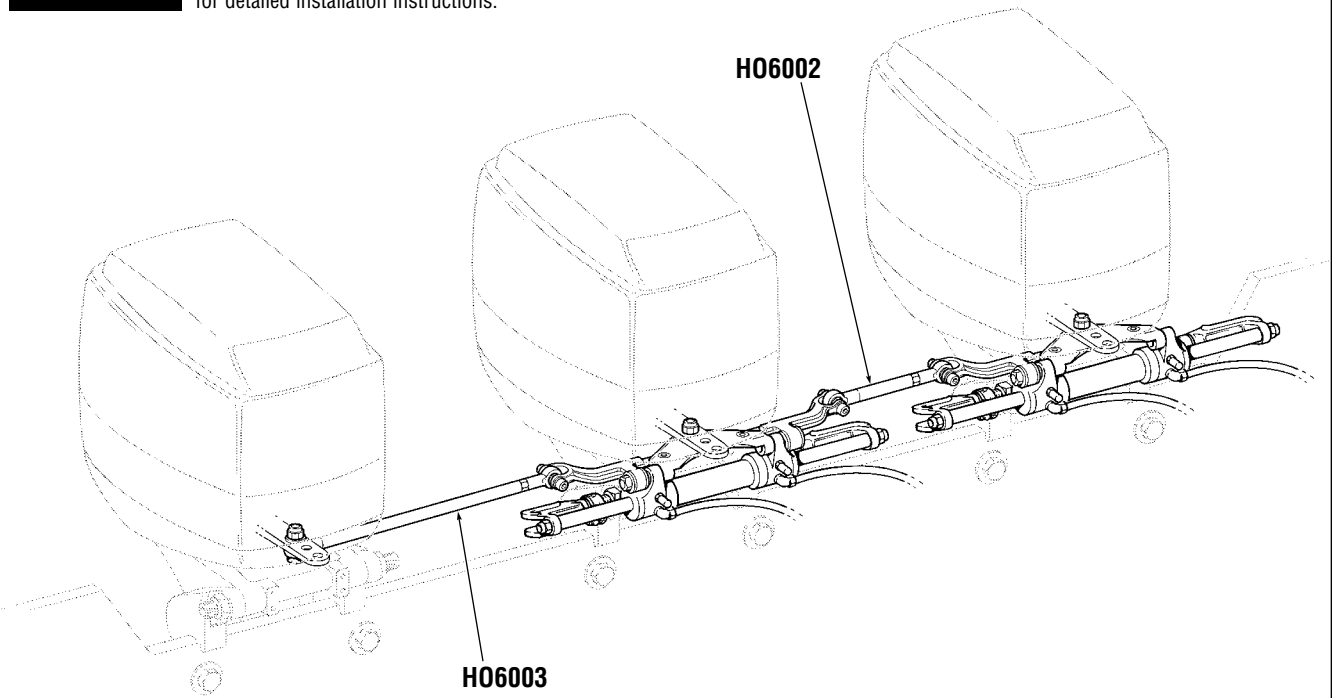


Figure B