

## MOUNTING KIT #HA5417

### Standard Helm – Round Bezel Back Mount

- Drill mounting holes and provision for helm using the template on page 2.
- Assemble the mounting bezel (item# 1) with the carriage bolts (item# 2) and the rubber seal (item# 3) according to the diagram.
- Secure the assembly to the mounting surface using the washers (item# 4) and the nuts (item# 5). Torque to 75in-lb (8.67N-m).
- Insert the helm pump from behind the dash through the hole in the mounting surface and secure using the mounting plate (item# 6) and remaining nuts (item# 5). Torque to 75in-lb (8.67N-m).

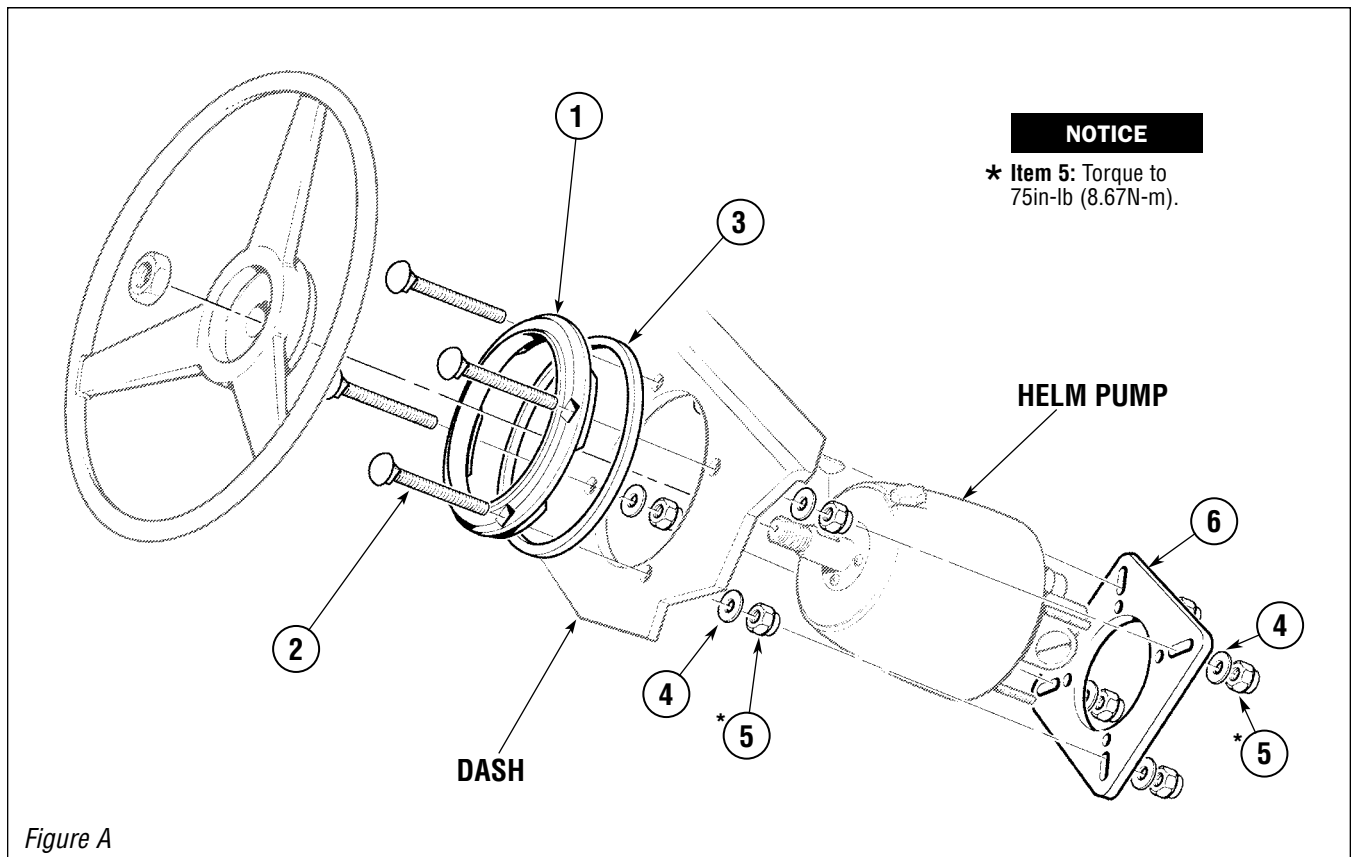


Figure A

ITEM	PART#	QTY	DESCRIPTION
1	766815	1	Mounting Bezel
2	185624	4	Carriage Bolts 1/4" x 3-1/2"
3	766723	1	Rubber Seal
4	067528	8	Washer 1/4" Flat

ITEM	PART#	QTY	DESCRIPTION
*5	067424	8	Locking Nut 1/4" NC
6	764233	1	Anchor Plate

## MOUNTING KIT #HA5417

### Standard Helm – Round Bezel Back Mount

- 1 Tape template to dashboard.
- 2 Before drilling holes, check that the position of the helm will allow unrestricted movement of the steering wheel.
- 3 Drill the 4-3/8" diameter center hole and the 5/16" diameter mounting holes, positioned as shown.

#### WARNING

**Do Not attempt to install this helm without first reading the installation instructions. If installation instructions are missing, contact Teleflex for a new copy. Failing to comply may result in loss of steering causing property damage and/or personal injury.**

