



OUTBOARD TOURNAMENT CYLINDERS

Reversing the Pivot/Mounting Plate.

The following installation instructions will allow user to flip the pivot mounting plate of the SeaStar Outboard Tournament Cylinders. All torque specifications noted below **MUST** be met to ensure the safe operation of your steering system. All work performed on a steering system **MUST** be completed by a qualified marine technician. There is no requirement to modify/open any hydraulic components in this procedure.

WARNING

Failure to adhere to the 'tightening instructions' noted on page 2 may lead to loss of steering control resulting in unpredictable boat behavior causing ejection from vessel leading to property damage, personal injury and/or death.

Reversing Procedure

Refer to figure A on page 2 for location of items.

- 1 Unbolt and discard tiller bolt and nut (items 7 and 2).
ONLY use the new tiller bolt/nut included in the kit.
- 2 Attach wrench to the flats of shoulder bolt (item 1).
- 3 Loosen and remove nuts (item 2) and washers (item 3).
Discard items 2 as new ones are provided in the kit.
- 4 Repeat to the opposite side of the cylinder mount.
- 5 Lightly tap shoulder screw (item 1) towards the center of the cylinder until it is able to be removed, then remove shoulder bolt from slot.

NOTICE

Note position of items 3 and 4 as they will be installed in the same position during re-assembly.

- 6 Remove shoulder bolt from opposite side of the cylinder.
- 7 Repeat steps 1 through 6 on opposite cylinder.
- 8 Using a good quality marine grease, lightly grease shoulder bolt (item 1) and the face of the cylinder mounting ears (refer to figure A on page 2).
- 9 Install pivot plates onto opposite cylinder (port plate moved to starboard cylinder, starboard plate moved to port cylinder), flipping plates as shown in figures B and C on page 3. Torque ALL fasteners as specified on page 2.
- 10 Clean old decal free of any residue then install new decal (item 6) onto the older decal. Refer to table A on page 3 to determine proper decal to be installed.

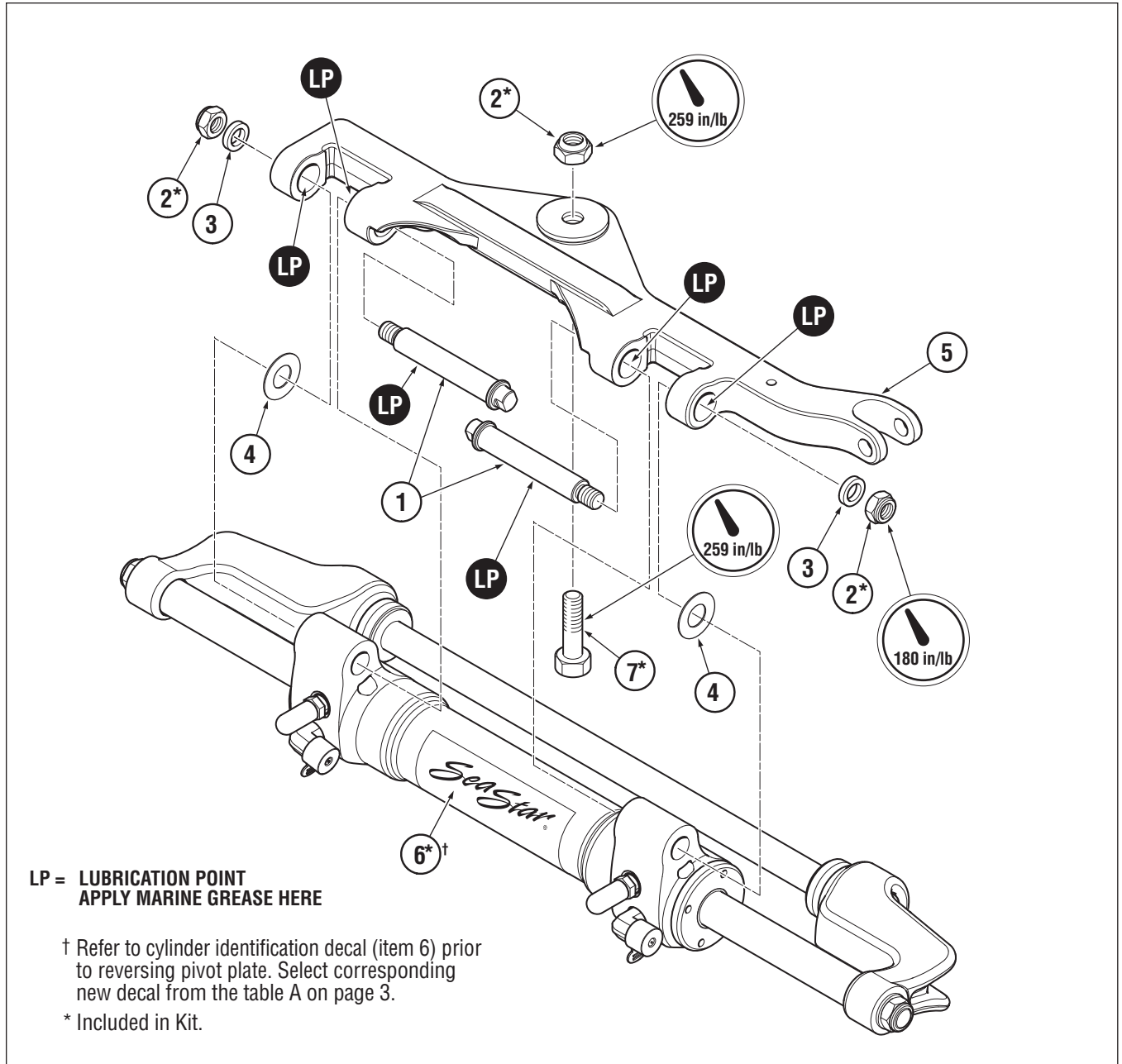


Figure A.

ITEM	QTY	DESCRIPTION
1	2	Shoulder Screw, Long
*2	6	Nut, 3/8" NF Nylok®, SS
3	2	Washer, 1/8" Thick
4	2	Washer, Thin
5	1	Pivot/Mounting Plate
†*6	2	Cylinder identification Decal
*7	2	Tiller Bolt, HHCS 3/8" UNJF x 1.35" HSS

New Configuration

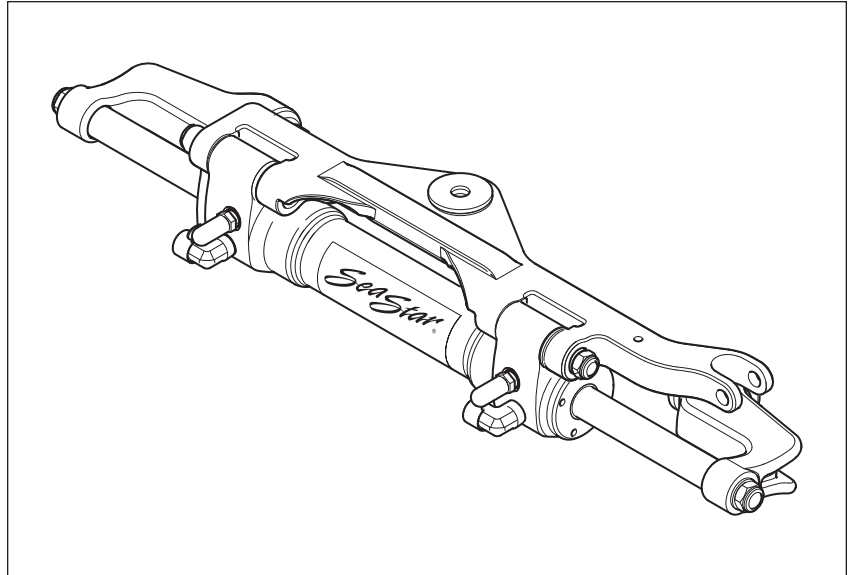


Figure B. Cylinder Mounted **ABOVE** Steering Arm

Current Configuration

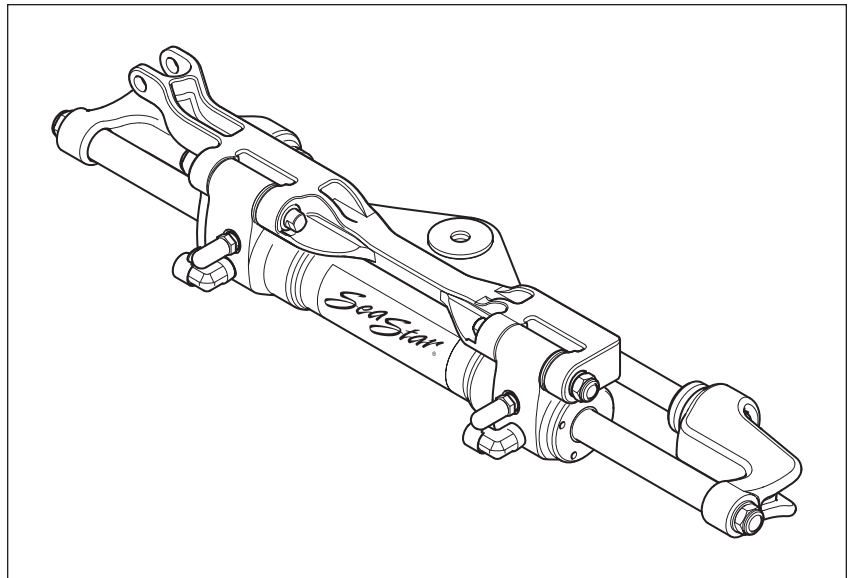


Figure C. Cylinder Mounted **BELOW** Steering Arm

NOTICE

Only use the new fasteners provided in this kit. DO NOT re-use old fasteners.

OLD CYLINDER PART NUMBER	NEW CYLINDER DECAL PART #
HC6754	HC6750
HC6753	HC6751

Table A.